

# Cal. W524

<b>INSTRUCTIONS</b>	<b>(P. 3)</b>
<b>BEDIENUNGSANLEITUNG</b>	<b>(S. 18)</b>
<b>INSTRUCTIONS</b>	<b>(P. 33)</b>
<b>ISTRUZIONI</b>	<b>(P. 48)</b>
<b>INSTRUCCIONES</b>	<b>(P. 63)</b>
<b>INSTRUÇÕES</b>	<b>(P. 78)</b>
<b>用法說明</b>	<b>(93 頁)</b>

You are now the proud owner of a SEIKO Digital Quartz Watch Cal. W524. For best results, please read the instructions in this booklet carefully before using your SEIKO Digital Quartz Watch. Please keep this manual handy for ready reference.

Sie sind jetzt Besitzer einer SEIKO Digital-Quarzuhr Kal. W524. Bitte lesen Sie diese Bedienungsanleitung vor Verwendung der Uhr sorgfältig durch und heben Sie sie gut auf.

Vous voici l'heureux propriétaire d'une montre numérique SEIKO quartz Cal. W524. Pour obtenir d'excellentes performances de cet article SEIKO, veuillez lire attentivement cette brochure que vous conserverez pour toute référence ultérieure.

Siete ora in possesso di un orologio SEIKO digitale al quarzo Cal. W524. Per ottenere i migliori possibili risultati dal Vostro orologio, leggere attentamente le istruzioni di questo manuale prima di utilizzare il Vostro orologio SEIKO digitale al quarzo. Conservare poi il manuale stesso per ogni qualsiasi eventuale futuro riferimento.

Enhorabuena por su adquisición de un reloj SEIKO digital de cuarzo Cal. W524. Para óptimo resultado, lea detenidamente las instrucciones de este folleto antes de usar el reloj. Guarde este manual para consulta posterior.

Você pode sentir-se orgulhoso de possuir um Relógio SEIKO Quartz Digital Cal. W524. Para obter os melhores resultados, leia atentamente as instruções contidas neste opúsculo antes de usar o seu Relógio SEIKO Quartz Digital. Queira conservar este manual para referências futuras.

# CONTENTS

	Page
MODE CHANGE .....	5
TIME/CALENDAR MODE .....	6
ALARM MODE .....	8
ILLUMINATING LIGHT .....	9
NOTES ON USING THE WATCH .....	10
BATTERY CHANGE .....	12
TO PRESERVE THE QUALITY OF YOUR WATCH .....	13
SPECIFICATIONS .....	17

# SEIKO CAL. W524

## TIME/CALENDAR

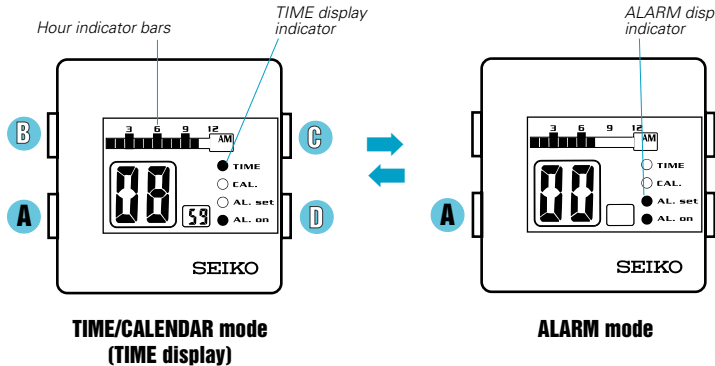
- The watch indicates the hour with the hour indicator bars and the minutes and seconds in numerals.
- Month, date and day of the week are displayed in the CALENDAR display. The month is also indicated by the month indicator bars.
- The calendar automatically adjusts for odd and even months except February of leap years.

## DAILY ALARM

## ILLUMINATING LIGHT (ELECTROLUMINESCENT PANEL)

## MODE CHANGE

- A** With each press, the mode changes between TIME/CALENDAR and ALARM alternately.



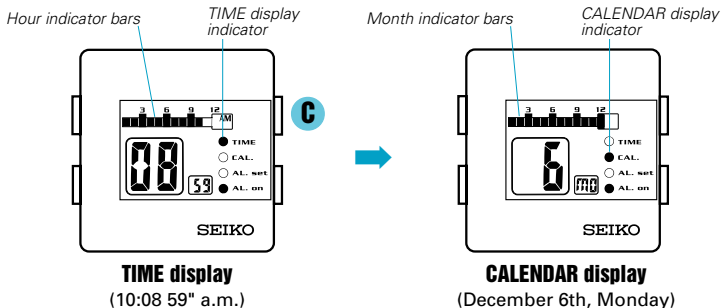
## TIME/CALENDAR MODE

- **Hour/month indication:** The number of lighted bars indicates the hour/month.
- The calendar automatically adjusts for odd and even months except February of leap years.

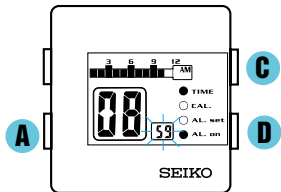
### SHOWING THE CALENDAR DISPLAY

- C** Press and hold in TIME/CALENDAR mode.

*\* While the button is kept pressed, the CALENDAR display is shown instead of the TIME display.*



## TIME/CALENDAR SETTING



**A** Press for 2 to 3 seconds in TIME/CALENDAR mode.

**C** Press to select the digits/bars to be adjusted.

Seconds

Minutes

Hour

Day

Date

Month

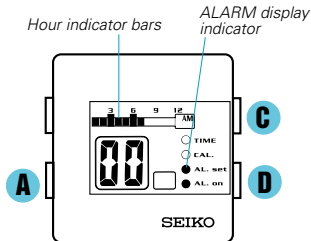
**D** Press to set the flashing digits.

**A** Press to return to TIME display.

## ALARM MODE

- The alarm can be set to ring on a 24-hour basis.

### ALARM TIME SETTING



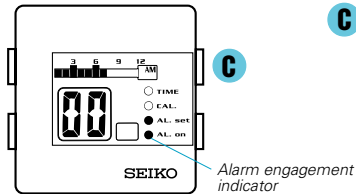
(Alarm time: 7:00 a.m.)

- A** Press to show ALARM mode.
- ▼
- A** Press for 2 to 3 seconds.
- ▼
- C** Press to select the digits/bars to be adjusted.
- ▼
- D** Press to set the flashing digits.
- ▼
- A** Press to return to ALARM display.

\* The alarm is automatically engaged.



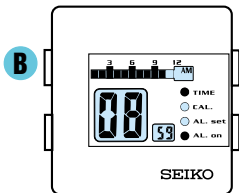
## ● ALARM ENGAGEMENT/DISENGAGEMENT



- C** With each press in ALARM mode, the alarm is alternately engaged and disengaged.

- \* When the alarm is engaged, the alarm engagement indicator is displayed.
- \* At the designated time, the alarm rings for 20 seconds. To stop it manually, press any of the buttons in any mode.

## ILLUMINATING LIGHT (Electroluminescent panel)



- B** Press in any mode.

- \* The display panel is illuminated for 3 seconds.

# NOTES ON USING THE WATCH

## TIME/CALENDAR MODE

### [TIME/CALENDAR SETTING]

- The TIME or CALENDAR display is shown according to the digits/bars selected.
- While the second digits are flashing, press button D in accordance with a time signal. The seconds are reset to "00". When the seconds read any number from "30" to "59" and button D is pressed, one minute is added and the seconds are reset to "00".
- The flashing digits move quickly or the bars are lighted successively if button D is kept pressed.
- When setting the hour digits, check that AM/PM is properly set.
- If the watch is left untouched with the digits/bars flashing, it will automatically return to the TIME display in 1 to 2 minutes.
- **Note on unusual display:**

While setting the time/calendar, all the segments of the display will light up if both buttons C and D are pressed at the same time. This is not a malfunction. Press button A, C or D to return to the TIME display, and then set the time/calendar again.

## ALARM MODE

### [ALARM TIME SETTING]

- The flashing digits move quickly or the bars are lighted successively if button D is kept pressed.
- When setting the hour digits, check that AM/PM is properly set.
- If the watch is left untouched with the digits/bars flashing, it will automatically return to the ALARM display in 1 to 2 minutes.
- **Alarm test:** The alarm can be tested by keeping button C pressed in the ALARM mode. After the alarm is tested, press button C to engage/disengage the alarm as desired.

**ILLUMINATING LIGHT (Electroluminescent panel)**

- The electroluminescent panel loses its luminance as the battery voltage decreases. Also, its luminance level decreases gradually with use.
- When the illuminating light becomes dim, replace the battery with a new one. If the illuminating light remains dim after the battery is replaced, have the electroluminescent panel replaced with a new one by the retailer from whom the watch was purchased, or an AUTHORIZED SEIKO DEALER. It will be replaced at cost.
- While the illuminating light is used, the watch gives out a slight noise. However, this is not a malfunction.

## BATTERY CHANGE

**3**  
**Years**

The miniature battery which powers your watch should last approximately **3 years**. However, because the battery is inserted at the factory to check the function and performance of the watch, its actual life once in your possession may be less than the specified period. When the battery expires, be sure to replace it as soon as possible to prevent any malfunction. For battery replacement, we recommend that you contact an AUTHORIZED SEIKO DEALER and request **SEIKO CR2025** battery.

*\* The battery life may be less than 3 years if the alarm is used for more than 10 seconds a day and/or the illuminating light more than once a day.*



### WARNING

- Do not remove the battery from the watch.
- If it is necessary to take out the battery, keep it out of the reach of children. If a child swallows it, consult a doctor immediately.



### CAUTION

- Never short-circuit, heat or otherwise tamper with the battery, and never expose it to fire. The battery may burst, become very hot or catch fire.
- The battery is not rechargeable. Never attempt to recharge it, as this may cause battery leakage or damage to the battery.

# TO PRESERVE THE QUALITY OF YOUR WATCH

## ■ WATER RESISTANCE

Indication on case back	Condition of use	Accidental contact with water such as rain and splashes	Swimming, yachting and taking a shower	Taking a bath and shallow diving	Scuba diving** and saturation diving
	Degree of water resistance*				
No indication	<b>Non-water resistant</b>	No	No	No	No
WATER RESISTANT	<b>3 bar</b>	Yes	No	No	No
WATER RESISTANT 5 BAR	<b>5 bar</b>	Yes	Yes	No	No
WATER RESISTANT 10/15/20 BAR	<b>10/15/20 bar</b>	Yes	Yes	Yes	No

## ● Non-water resistant



- If the watch becomes wet, have it checked by an AUTHORIZED SEIKO DEALER or SERVICE CENTER.

## ● Water resistant 5/10/15/20 bar



- Do not operate the buttons when the watch is wet or in water. If used in sea water, rinse the watch in fresh water and dry it completely.



- When taking a shower with a water resistant 5 bar watch, or taking a bath with a water resistant 10, 15 or 20 bar watch, be sure to observe the following:

- \* Do not operate the buttons when the watch is wet with soapy water or shampoo.
- \* If the watch is left in warm water, a slight time loss or gain may be caused. This condition, however, will be corrected when the watch returns to normal temperature.

*\* Pressure in bar is a test pressure and should not be considered as corresponding to actual diving depth since swimming movement tends to increase the pressure at a given depth. Care should also be taken on diving into water.*

*\*\* We recommend that you wear a SEIKO Diver's Watch for scuba diving.*

## ■ TEMPERATURES



Your watch works with stable accuracy within a temperature range of 5°C and 35°C (41°F and 95°F).

Temperatures over 50°C (122°F) or below -5°C (+23°F) may cause a slight time loss or gain or battery leakage or shorten the battery life.

However, the above conditions will be corrected when the watch returns to normal temperature.

## ■ SHOCKS & VIBRATION



Be careful not to drop your watch or hit it against hard surfaces.

## ■ MAGNETISM



Your watch will not be affected by magnetism.

## ■ CHEMICALS



Be careful not to expose the watch to solvents, mercury, cosmetic spray, detergents, adhesives or paints. Otherwise, the case, bracelet, etc. may become discolored, deteriorated or damaged.

## ■ CARE OF CASE AND BRACELET



To prevent possible rusting of the case and bracelet, wipe them periodically with a soft dry cloth.

## ■ PERIODIC CHECK



It is recommended that the watch be checked once every 2 to 3 years. Have your watch checked by an AUTHORIZED SEIKO DEALER or SERVICE CENTER to ensure that the case, buttons, gasket and crystal seal remain intact.

## ■ PRECAUTION REGARDING CASE BACK PROTECTIVE FILM



If your watch has a protective film and/or a sticker on the case back, be sure to peel them off before using your watch.

## ■ STATIC ELECTRICITY



The IC (Integrated Circuit) used in your watch will be affected by static electricity which may disturb the display. Keep the watch away from close contact with objects such as TV screens which emit strong static electricity.

## ■ LIQUID CRYSTAL PANEL



The normal life expectancy for a liquid crystal panel is approximately 7 years. After that it may decrease in contrast, becoming difficult to read. Please contact your **AUTHORIZED SEIKO DEALER** or **SERVICE CENTER** if you wish to have a new panel fitted (guaranteed one year).



## SPECIFICATIONS

- |   |  |  |
|---|--|--|
| 1 | Frequency of crystal oscillator .....    | 32,768 Hz (Hz = Hertz ... Cycles per second)   |
| 2 | Loss/gain (monthly rate) .....           | Less than 30 seconds at normal temperature range (5° C ~ 35° C) (41° F ~ 95° F)  |
| 3 | Operational temperature range .....      | -5° C ~ +50° C (23° F ~ 122° F)  |
|   | Desirable temperature range of use ..... | 0° C ~ +50° C (32° F ~ 122° F)   |
| 4 | Display system                           |  |
|   | TIME/CALENDAR mode .....                 | Hour, minutes, seconds, "AM"/"PM" mark and TIME display indicator in the TIME display<br>Month, date, day of the week and CALENDAR display indicator in the CALENDAR display |
|   | ALARM mode .....                         | Hour, minutes, "AM"/"PM" mark and ALARM display indicator<br>Alarm engagement indicator  |
| 5 | Display medium .....                     | Nematic Liquid Crystal, FEM (Field Effect Mode)  |
| 6 | Battery .....                            | SEIKO CR2025, 1 piece  |
| 7 | IC (Integrated Circuit) .....            | C-MOS-LSI, 1 piece   |

\* The specifications are subject to change without prior notice for product improvement.